



Paddock Gates and Paddock Panels

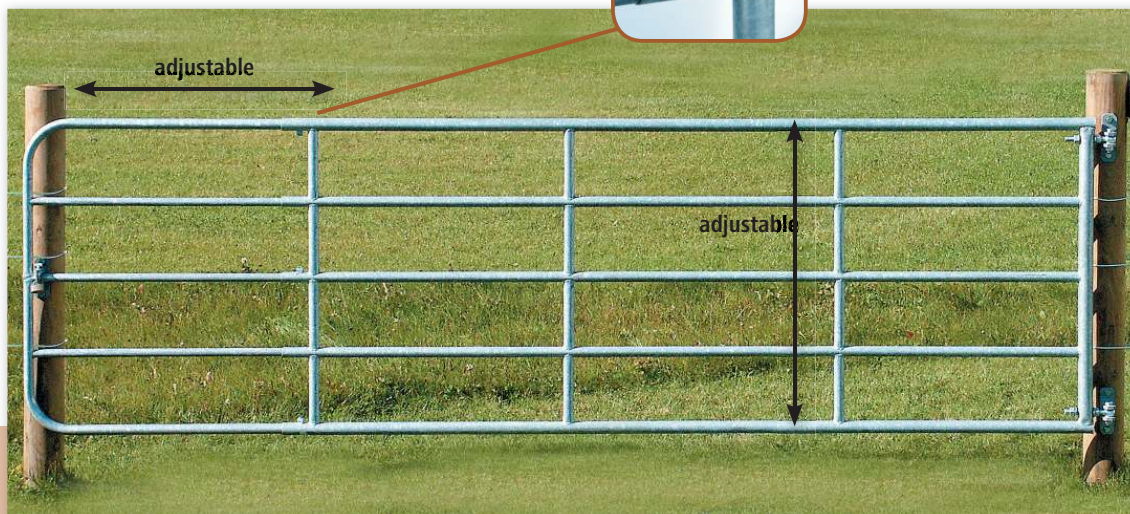
Pasture Gates

110 cm, galvanized, adjustable length each including mounting kit

Mounting Kit consists of:
2 x hinges
1 x locking facility



extends by adjustable set screw



Pasture gates including mounting kit



For safety reasons make sure the gate opens inwards!

Electrics Kit for Fence Gates

- kit for additional electrification of your fencing system around fence gates
- fence gate can continue to be opened by hand
- kit comprises:
 - 6 fastening rings
 - 6 ring insulators with metric thread
 - 1 rope/tape connection
 - 14 m rope (Top Line Plus) with 6 mm



441224

ref. no.	description		€
442557	Fence Gate 5 - 6 m	1	
44895	Fence Gate 4 - 5 m	1	
44891	Fence Gate 3 - 4 m	1	
44892	Fence Gate 2 - 3 m	1	
44893	Fence Gate 1 - 1,7 m	1	
441224	Electrics kit for fence gates	1/16	
442577	2 m gate post with plastic cap, Ø 88 mm	1	
442578	Fastener for gate posts	1	
442579	Hinge pin receiver for gate posts	1	

Electric fence units and accessories available in our special catalogues!

Offset mounting of the hinge can be adjusted by moving the threaded hinge pin (which is height-adjustable).



Can be closed as an option (without lock)



442577



442578

442579





Paddock Gates and Paddock Panels

Fence Panel

- perfect for erecting mobile and flexible fencing as well as temporary horse boxes
- also commonly used to fence off riding and training areas
- height of upper tube 1.6 m
- total height 1.70 m
- safety mounting bracket prevents animals from being injured. When landing on the panel, the animal does not fall between two panels if it slips
- smooth oval tube 50 x 30 x 1.5 mm
- clear distance between tubes 20 cm
- rapid chain fastening makes it quicker and easier to connect several panels
- very stable at light loads
- curved feet ensure excellent stability
- hot-dip galvanized



safety mounting bracket



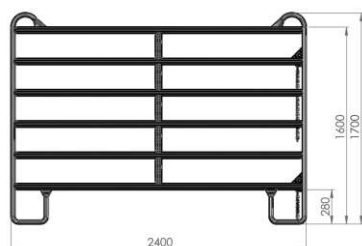
secure stand because of U-shaped foot



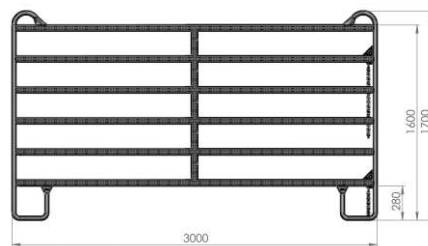
rapid chain fastening



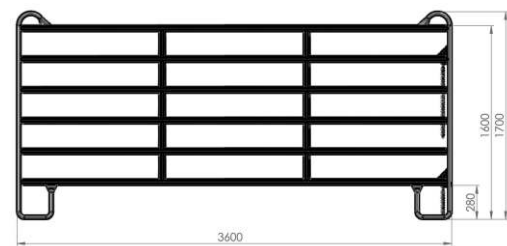
hot galvanized




dimensioning 442591



dimensioning 442592



dimensioning 442593

ref. no.	description	length		€
442591	Fence component without gate	2,4 m	1	
442592	Fence component without gate	3,0 m	1	
442593	Fence component without gate	3,6 m	1	



dimensioning flat oval tube: 50 mm x 30 mm x 1,5 mm

Shipping costs will be charged separately.





Paddock Gates and Paddock Panels

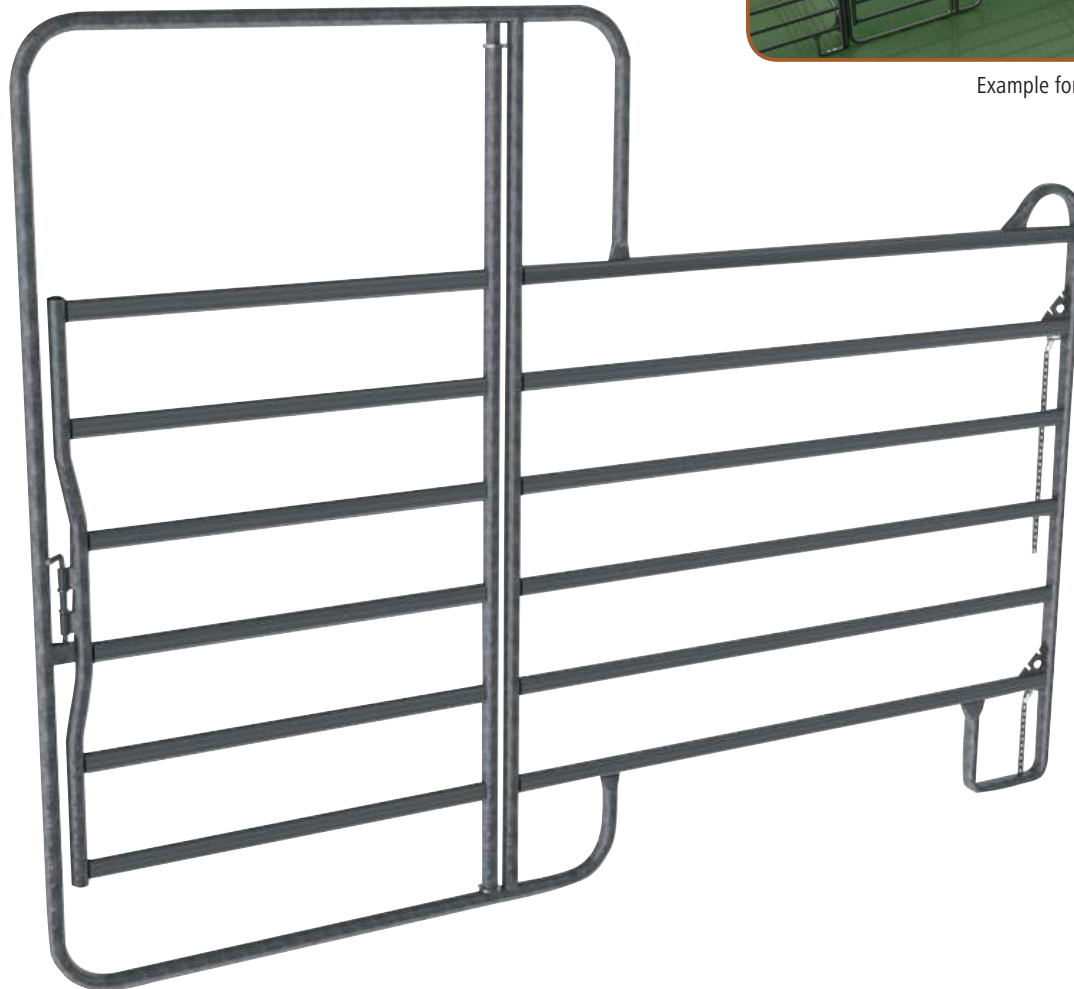
Fence Panel with Gate

- allows an opening to be created in the fencing
- total height 2.2 m
- gate width 1.1 m
- lock for opening and closing the fenced area
- hot-dip galvanised (create new logo)

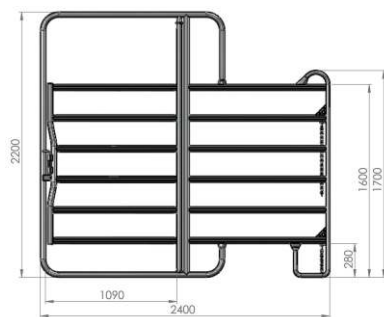
hot galvanized



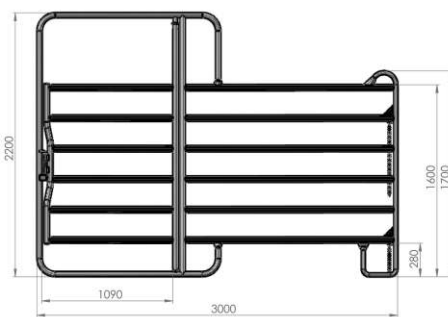
Example for mounting



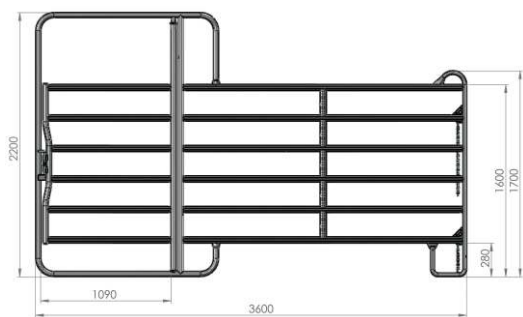
Verschlussriegel




dimensioning 442594



dimensioning 442595



dimensioning 442596

ref. no.	description	length		€
442594	Fence component with gate	2,4 m	1	
442595	Fence component with gate	3,0 m	1	
442596	Fence component with gate	3,6 m	1	

Shipping costs will be charged separately.






Feed stalls

Square Hay Rack for Horses with Safety Feeding Barrier

- universal hay rack for horses with 12 slots • suitable for round and rectangular bales • extremely stable and galvanised • one side opens completely to assist filling • the rounded feeding barrier and protected edges ensure injury-free feeding for animals • height-adjustable runners (adjustable to the animals' size) • 2 square tube beams for reinforcement • three point attachment with attachment protector • very little food loss • supplied as a self-assembly kit, including edge protectors, 2 square tube beams and a protected three point attachment



Weight: ca. 430 kg
L x W x H: 2 x 2 x 2,5 m

ref. no.  €
291256 1

Shipping costs will be charged separately.



With edge protection



Square tube beams




Three point attachment (with safety guard)

Square Hay Rack with Feeding Barrier for Round Bales

- universal hay rack for horses and cattle with 12 slots for round bales • extremely stable and galvanised • one side opens completely to assist filling • the rounded feeding barrier ensures injury-free feeding for animals • height-adjustable runners (adjustable to the animals' size) • 2 square tube beams for reinforcement • three point attachment with attachment protector • edge protection prevents injuries and increases stability • very little food is wasted • supplied as self-assembly kit



Weight: approx. 400 g
L x W x H: 2 x 2 x 2,5 m

ref. no.  €
291255 1

Shipping costs will be charged separately.





Feed stalls

Round Rack with 8 Feeding Slots

- 8 feeding places • the rounded feeding barrier ensures injury-free feeding for animals • galvanized • consists of 4 parts

External diameter: approx. 1.50 m
 Internal diameter: approx. 1.40 m
 Height: approx. 1.30 m
 Round height: approx. 0.55 m
 Weight: approx. 100 kg



ref. no.		€
291257	1	



Round Rack with 12 Feeding Slots

For regular and round bales

- Standard hay rack with 12 feeding slots • the rounded feeding barrier ensures injury-free feeding for animals • Top link protection cap • three point hoop guard and three point attachment, reinforced with a double tube • galvanized • consists of 3 parts

External diameter: approx. 2.30 m
 Internal diameter: approx. 2.10 m
 Height: approx. 1.30 m
 Round height: approx. 0.55 m
 Weight: approx. 140 kg



ref. no.		€
291258	1	

